

**SWISSDIS**



Swissdis AG  
Grasweg 7  
CH-4911 Schwarzhäusern

Tel.: +41 62 919 44 00  
Fax: +41 62 919 44 01  
[info@swissdis.ch](mailto:info@swissdis.ch)  
[www.swissdis.ch](http://www.swissdis.ch)



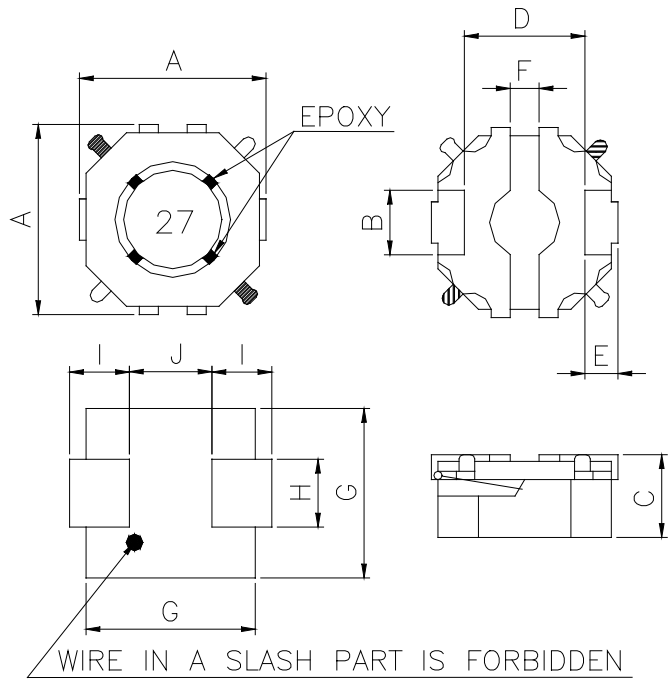
# SPECIFICATIONS

Shielded SMD Power Inductor

**SCDB-Serie**

Version January 2018

## Shielded SMD Power Inductor



### Features

- New designed terminal for low cost
- Low profile and high current
- Magnetically shielded construction
- Ideal for digital equipment and hand phone of new generation.

### Applications

- DSD, DVC, PDA Products
- Hand Phone Of New Generation
- Hard Disk Drives

### Characteristics

- Saturation Rated Current: The current when the inductance becomes 30% lower than its initial value. (Ta=20°C)
- Temperature Rise Current: The current when temperature of coil increases up to Max. Δt=40°C. (Ta=20°C)
- Operating temperature range: -40~125°C

### Dimensions

Unit: mm

Type	A	B	C max.	D	E	F	G	H	I	J
SCDB2D12	3.0±0.2	1.0	1.2	2.0	0.5	0.5	3.2	1.2	1.1	1.8
SCDB2D15	3.0±0.2	1.0	1.5	2.0	0.5	0.5	3.2	1.2	1.1	1.8
SCDB2D18	3.0±0.2	1.0	1.8	2.0	0.5	0.5	3.2	1.2	1.1	1.8

### Inductance and rated current ranges

- SCDB2D12 1.2~22μH 0.85~0.22A
- SCDB2D15 2.2~33μH 1.00~0.25A
- SCDB2D18 2.2~47μH 1.10~0.23A

- Test equipment:

- L: HP4284A Precision LCR meter
- DCR: Milli-ohm meter

### Product Identification

SCDB	2D12	M	T	101
Product Type	Dimensions	Inductor Tolerance	Packaging Style	Inductance
	2D12: 3x3x1.2 2D15: 3x3x1.5 2D18: 3x3x1.8	M: ±20% N: ±30%	T: Tape and Reel	1R0: 1.0μH 470: 47μH 101: 100μH

**Electrical Characteristics**

SCDB2D12\_Type(□:Tolerance):

Part No	L ( $\mu$ H)	Tolerance	Test Condition	DCR ( $\Omega$ ) max.	IDC (A) max.		I rms (A) max.
					20°C	100°C	
SCDB2D12□T1R2	1.2	N	100KHz, 0.1V	0.117	0.85	0.70	1.05
SCDB2D12□T2R2	2.2	N	100KHz, 0.1V	0.182	0.70	0.60	0.90
SCDB2D12□T3R3	3.3	N	100KHz, 0.1V	0.260	0.60	0.50	0.82
SCDB2D12□T4R7	4.7	N	100KHz, 0.1V	0.312	0.50	0.40	0.72
SCDB2D12□T5R6	5.6	N	100KHz, 0.1V	0.442	0.46	0.35	0.67
SCDB2D12□T6R8	6.8	N	100KHz, 0.1V	0.520	0.43	0.30	0.62
SCDB2D12□T8R2	8.2	N	100KHz, 0.1V	0.560	0.38	0.28	0.58
SCDB2D12□T100	10	M	100KHz, 0.1V	0.780	0.33	0.25	0.55
SCDB2D12□T220	22	M	100KHz, 0.1V	1.650	0.22	-	-

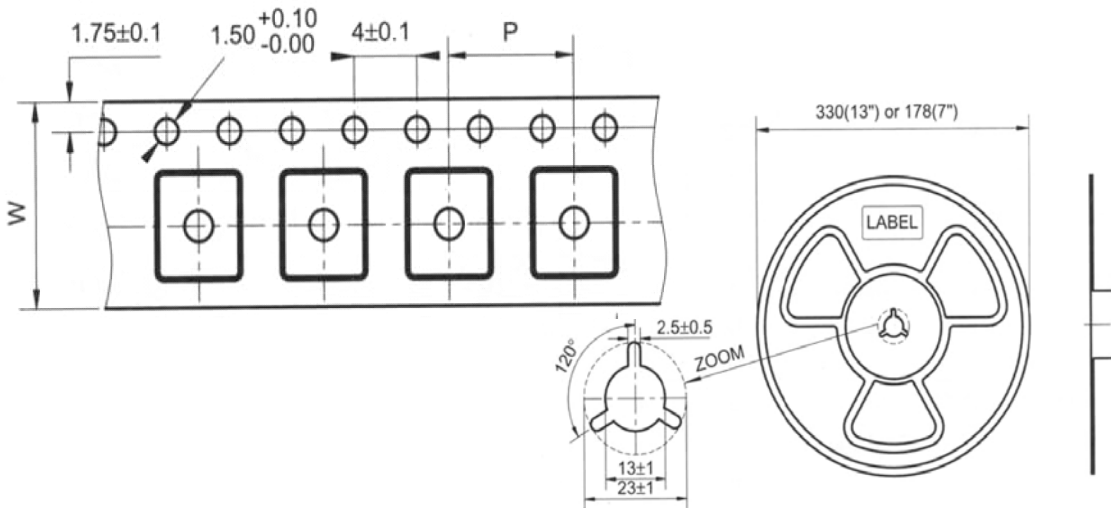
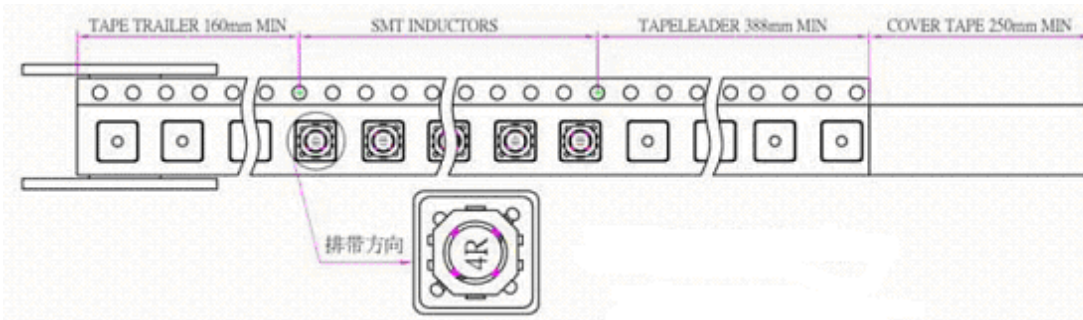
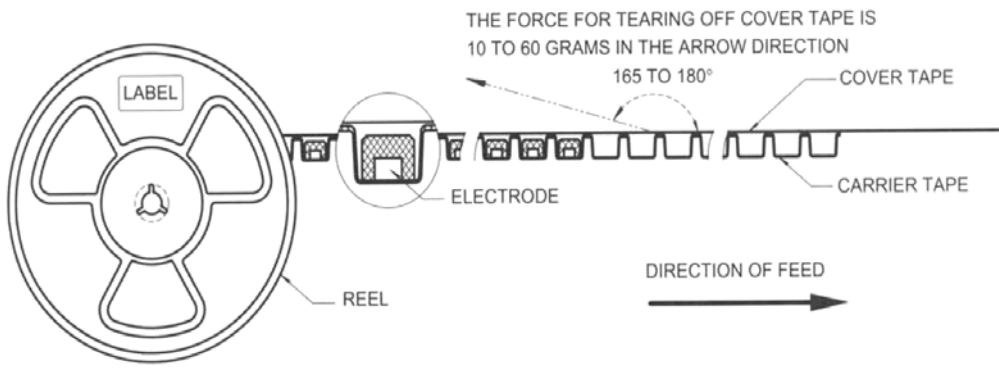
SCDB2D15\_Type

Part No	L ( $\mu$ H)	Tolerance	Test Condition	DCR ( $\Omega$ ) max.	IDC (A) max.		I rms (A) max.
					20°C	100°C	
SCDB2D15□T2R2	2.2	N	100KHz, 0.1V	0.150	1.00	0.80	1.00
SCDB2D15□T3R3	3.3	N	100KHz, 0.1V	0.234	0.90	0.70	0.90
SCDB2D15□T4R7	4.7	N	100KHz, 0.1V	0.338	0.80	0.60	0.85
SCDB2D15□T5R6	5.6	N	100KHz, 0.1V	0.364	0.70	0.55	0.80
SCDB2D15□T6R8	6.8	N	100KHz, 0.1V	0.416	0.60	0.52	0.77
SCDB2D15□T8R2	8.2	N	100KHz, 0.1V	0.572	0.55	0.48	0.72
SCDB2D15□T100	10	M	100KHz, 0.1V	0.624	0.50	0.45	0.70
SCDB2D15□T120	12	M	100KHz, 0.1V	0.702	0.45	0.40	0.65
SCDB2D15□T150	15	M	100KHz, 0.1V	0.949	0.40	0.35	0.50
SCDB2D15□T180	18	M	100KHz, 0.1V	1.090	0.35	0.30	0.40
SCDB2D15□T220	22	M	100KHz, 0.1V	1.250	0.30	0.25	0.30
SCDB2D15□T330	33	M	100KHz, 0.1V	2.200	0.25	-	0.25

SCDB2D18\_Type

Part No	L ( $\mu$ H)	Tolerance	Test Condition	DCR ( $\Omega$ ) max.	IDC (A) max.		I rms (A) max.
					20°C	100°C	
SCDB2D18□T2R2	2.2	N	100KHz, 0.1V	0.117	1.10	0.90	1.10
SCDB2D18□T3R3	3.3	N	100KHz, 0.1V	0.143	1.00	0.80	1.00
SCDB2D18□T4R7	4.7	N	100KHz, 0.1V	0.221	0.80	0.70	0.90
SCDB2D18□T5R6	5.6	N	100KHz, 0.1V	0.247	0.75	0.60	0.85
SCDB2D18□T6R8	6.8	N	100KHz, 0.1V	0.312	0.70	0.55	0.82
SCDB2D18□T8R2	8.2	N	100KHz, 0.1V	0.351	0.60	0.50	0.78
SCDB2D18□T100	10	M	100KHz, 0.1V	0.468	0.55	0.48	0.75
SCDB2D18□T120	12	M	100KHz, 0.1V	0.533	0.50	0.45	0.65
SCDB2D18□T150	15	M	100KHz, 0.1V	0.598	0.45	0.40	0.55
SCDB2D18□T180	18	M	100KHz, 0.1V	0.715	0.40	0.33	0.50
SCDB2D18□220	22	M	100KHz, 0.1V	0.975	0.38	0.30	0.45
SCDB2D18□T270	27	M	100KHz, 0.1V	1.105	0.33	0.25	0.40
SCDB2D18□T330	33	M	100KHz, 0.1V	1.222	0.30	0.23	0.33
SCDB2D18□T390	39	M	100KHz, 0.1V	1.625	0.25	0.20	0.28
SCDB2D18□T470	47	M	100KHz, 0.1V	1.820	0.23	0.18	0.25

**■ Tape and Reel specifications**



Unit: mm

Type	Tape size		Parts Per Reel
	W	P	
SCDB2D12	12	8	4000
SCDB2D15	12	8	4000
SCDB2D18	12	8	3500

**■ SMT Power Inductor Environmental Specifications**

**General**

Items	Specifications
Shelf Storage conditions	Temperature range: 15~28°C; Humidity: <80% relative humidity. Recommended product should be used within one year from the time of delivery.

**Environmental test**

Test Items	Specifications	Test Conditions / Test Methods
High temperature Storage test	No case deformation or change in appearance. $\Delta L/L \leq 10\%$	Temperature 85±2°C, Time: 48±2 hours, Tested after 1hour at room temperature.
Low temperature Storage test		Temperature -25±2°C, Time: 48±2 hours, Tested after 1hour at room temperature.
Humidity test		Temperature 40±2°C, 90~95% relative humidity Time: 96±2 hours Tested after 1hour at room temperature.
Thermal shock test		First -25°C 30minutes then 25°C 10 minutes last 85°C 30 minutes, as 1 cycle. Go through 5 cycles. Tested after 1 hour at room temperature.

**Mechanical test**

Test Items	Specifications	Test Conditions / Test Methods
Solderability test	Terminal area must have 90% minimum solder coverage.	Product with Lead-free terminal: Dip pads in flux then dip in solder pot at 245±5°C for 3 seconds.
Resistance to Soldering Heat	No case deformation or change in appearance.	Flux should cover the whole of the sample before heating, then be preheated for about 2 minutes over temperature of 130~150°C. Immersing to 260±5°C for 10 seconds.
Vibration test	No case deformation or change in appearance.	Apply frequency 10~55Hz. 1.5mm amplitude in each of perpendicular direction for 2 hours.
Shock resistance	$\Delta L/L \leq 10\%$	Drop down with 981m/s <sup>2</sup> (100G) shock attitude upon a rubber block method shock testing machine, for 1 time. In each of three orientations.

**The condition of reflow (recommendation):**

