

## Data Sheet

**Customer:**

**Product: Multilayer Chip Beads – CBM Series**

**Part No.: CBM05YTAG600**

**Issued Date: 3-Jun-15**

**Edition: REV.A-62**



**VIKING TECH CORPORATION**

光頤科技股份有限公司

No.70, Kuanfu N. Rad.,

Hsin Chu Industrial Park,

Hukou Hsiang, Hsin Chu Hsien,

303, Taiwan

TEL:886-3-5972931

FAX:886-3-5972935•886-3-5973494

E-mail:sales@viking.com.tw

**VIKING TECH CORPORATION KAOHSIUNG BRANCH**

光頤科技股份有限公司高雄分公司

No.248-3, Sin-Sheng Rd., Cian-Jhen Dist., Kaohsiung,

806, Taiwan

TEL:886-7-8217999

FAX:886-7-8228229

E-mail:sales@viking.com.tw

**WUXI TMTEC CO., LTD.**

無錫泰銘電子有限公司

No.22 Xixia Road, Machinery & Industry Park,

National Hi-Tech Industrial Development Zone

of Wuxi, Wuxi, Jiangsu Province, China

Zip Code:214028

TEL:86-510-85203339

FAX:86-510-85203667•86-510-85203977

E-mail:china@viking.com.tw

<b>Produced by (QC)</b>	<b>Checked (QC)</b>	<b>Approved by (QC)</b>	<b>Prepared by (Sales)</b>	<b>Accepted by (Customer)</b>
<b>3-Jun-15</b>	<b>3-Jun-15</b>	<b>3-Jun-15</b>	<b>3-Jun-15</b>	
<b>Kris Chen</b>	<b>Ben Chang</b>	<b>Ben Chang</b>		

## Multilayer Chip Beads



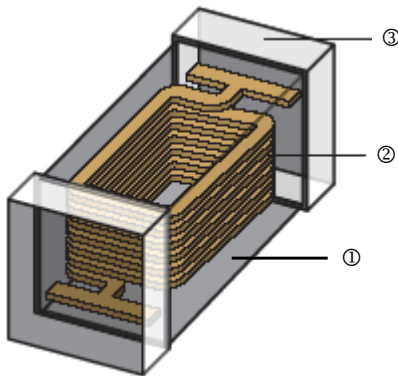
### ■ Features

- Effective EMI protection
- Low DC resistance
- High soldering heat resistance
- Multiple size availability

### ■ Applications

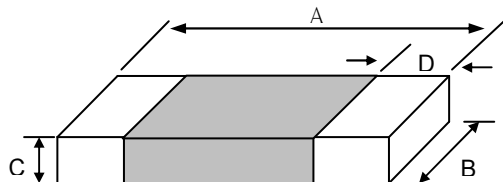
- Computers and Peripheral Equipment
- VCRS, Television, Pagers
- Cellular Phones
- Digital Communication Equipment
- Various Electronics Equipments
- Circuit Where a Stable Ground is Unavailable

### ■ Construction



① Ferrite	② Internal Electrode	③ Electrode Plating (Ag/Ni/Sn)
-----------	----------------------	--------------------------------

### ■ Dimensions



Unit : mm

Type	Size (Inch)	A	B	C	D	Weight (g) (1000pcs)
CBM05	0805	2.0±0.20	1.25±0.20	0.9±0.20	0.2~0.8	10

### ■ Part Numbering

CBM	05	Y	T	A	G	600
Product Type	Dimensions	Impedance Tolerance	Packaging Code	Material Code	Current	Impedance
	05: 0805	Y: ±25%	T: Taping Reel	A: A material	G: Medium current	600: 60Ω

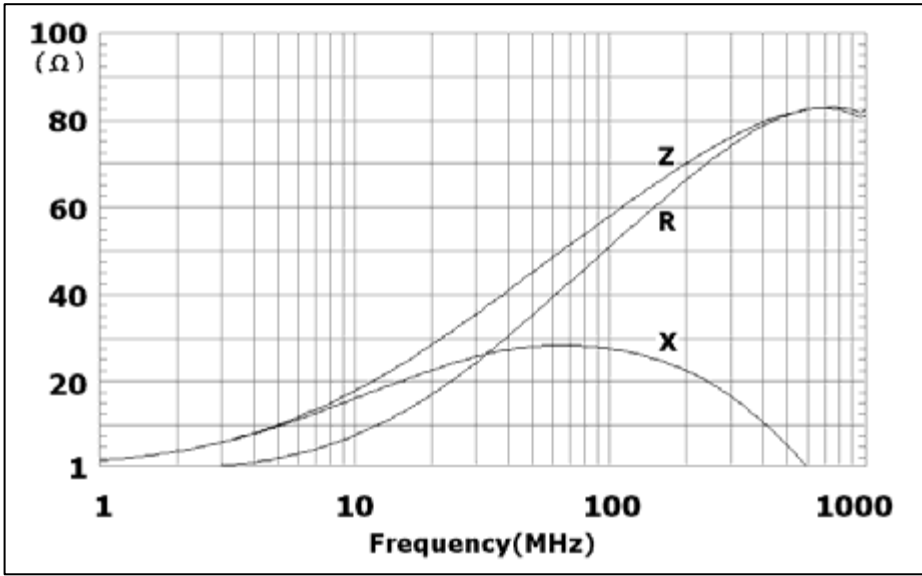
**Multilayer Chip Beads**

**Standard Electrical Specifications(For Medium Current Line Use)**

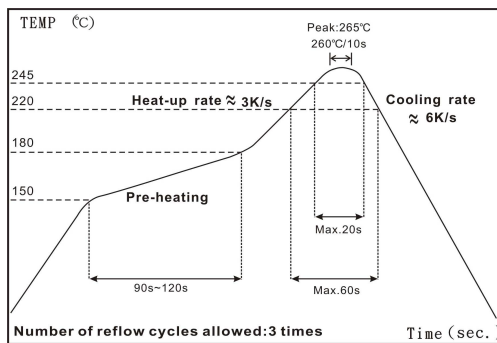
CBM05(201209) / A Material

Part No.	Impedance (Ω)	Tolerance	Test Frequency (MHz)	DCR (Ω) max.	Rated current (mA) max.
CBM05YTAG600	60	±25%	100	0.04	3000

**Curve**



**Soldering Condition**



IR Reflow Soldering

- (1) Time of IR reflow soldering at maximum temperature point 260°C : 10s
- (2) Time of soldering iron at maximum temperature point 280°C : 3s

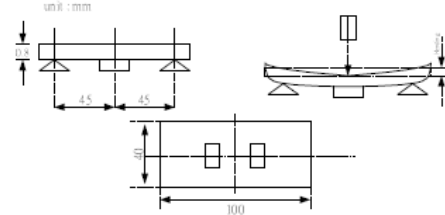

**Multilayer Chip Beads**

**Environmental Characteristics**

Electrical Performance Test

Item	Specification	Test Methods
Impedance	Refer to standard electrical spec.	HP4286A
DCR		HP 4338 digital mili-ohm meter

Mechanical Performance Test

Item	Specification	Test Methods
Substrate Bending Test	Without deformation cases Impedance: within±30% of initial value DC Resistance shall be satisfied	Test device shall be soldered on the substrate Substrate Dimension:100x40x0.8mm Deflection: 3.0mm Keeping Time: 10sec and then return 
Vibration	Appearance: No damage Impedance: within±30% of initial value DC Resistance shall be satisfied	Test device shall be soldered on the substrate Oscillation Frequency : 10 to 55 to 10Hz for 1min Amplitude : 1.5mm(peak-peak) Time : 2hrs for each axis (X,Y&Z), total 6hrs
Resistance to Soldering Heat	No visible damage Electrical characteristics and mechanical characteristics shall be satisfied	Solder temp: 265±5°C Immersion time: 6±1sec Preheating: 100°C to 150°C, 1 minute Measured after exposure in the room condition for 24hrs Solder: Sn-3Ag-0.5Cu
Solderability	95% min. coverage of all metallized area	Solder Temperature: 240±5°C Immersion Time: 3±1sec Solder: Sn-3Ag-0.5Cu
Terminal Strength	Without deformation cases Impedance: within±30% of initial value DC Resistance shall be satisfied	Solder chip on PCB and applied 10N (1.02KgF) for 10 sec 
Temperature Cycle		One cycle: One cycle/step1: -55±3°C for 30±3min step2: standard atmospheric conditions 5s or less step3: 125±2°C for 30±3min step4: standard atmospheric conditions 5s or less Total: 100cycles Measured after exposure in the room condition for 24hrs
Humidity Resistance	Appearance: No damage Impedance: within±30% of initial value DC Resistance shall be satisfied	Temperature: 60±2°C Relative Humidity: 90 ~ 95% Applied Current: Rated Current(maximum value) Time: 1008±12hrs Measured after exposure in the room condition for 24hrs
High Temperature Resistance		Temperature: 125±2°C Applied Current: Rated Current(maximum value) Time: 1008±12hrs Measured after exposure in the room condition for 24hrs
Low Temperature Storage Life Test		Temperature: -55±2°C Time: 1008±12hrs Measured after exposure in the room condition for 24hrs
Thermal Shock		-55°C~125°C kept stabilized for 30 minutes each for 100 cycles Measured after exposure in the room condition for 24hrs

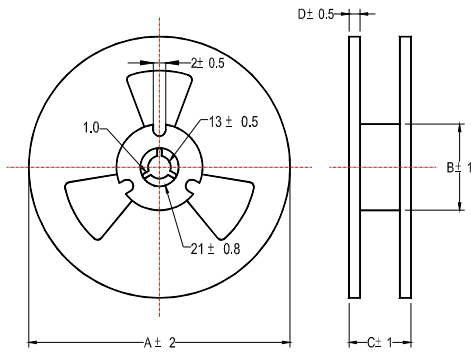
■ **Operating Temperature: -55°C ~ 125°C**

■ **Storage Temperature: 25±3°C ; Humidity < 80%RH**

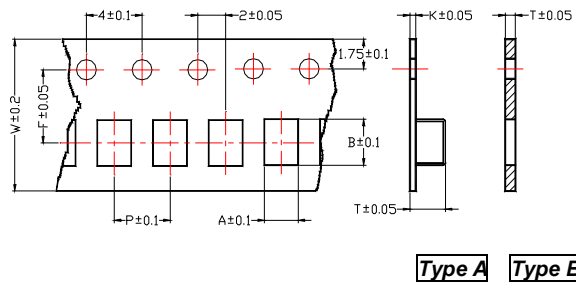
**Multilayer Chip Beads**

**■Packaging**

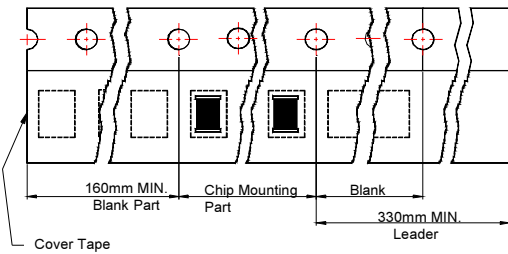
Reel Specifications



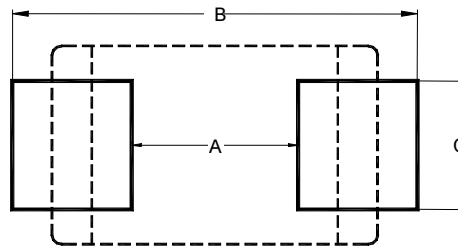
Tape Specifications



Tape Material



Recommended Pattern



Unit : mm

Type	Tape Dimensions								Reel Dimensions				Recommended Pattern			Quantity (EA)
	A	B	T	W	P	F	K	Tape Type	A	B	C	D	A	B	C	
CBM05	1.55	2.30	1.20	8.0	4.0	3.5	-	B	178	60	10	2	0.66	3.23	1.47	4000