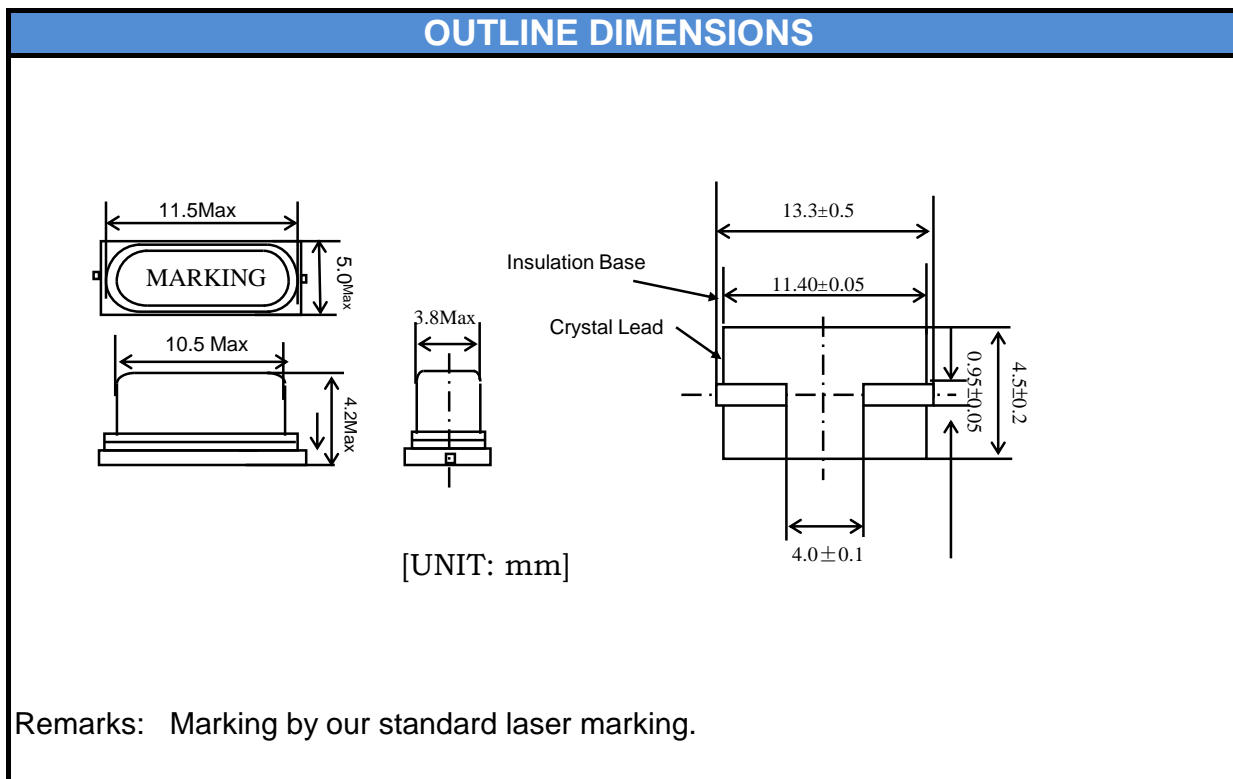


ELECTRICAL SPECIFICATIONS	
TYPE	HC-49US/SMD
Part Number	AS49SD-6M-FE200E3
Nominal frequency	6.000000 MHz
Oscillation mode	Fundamental
Frequency tolerance	± 30 ppm 25±3°C
Temperature characteristics	± 30 ppm
Operating Temperature	-20°C~+70°C
Storage Temperature	-40°C~+85°C
Load capacitance	20 pF
Drive level	100 μW
Series capacitance (C <sub>1</sub> )	— fF
Parallel capacitance (C <sub>0</sub> )	5.0 pF Max
Series resistance	60 Ω Max
Aging	± 5 ppm Max /Year



\* Specification subject to change without prior notice.