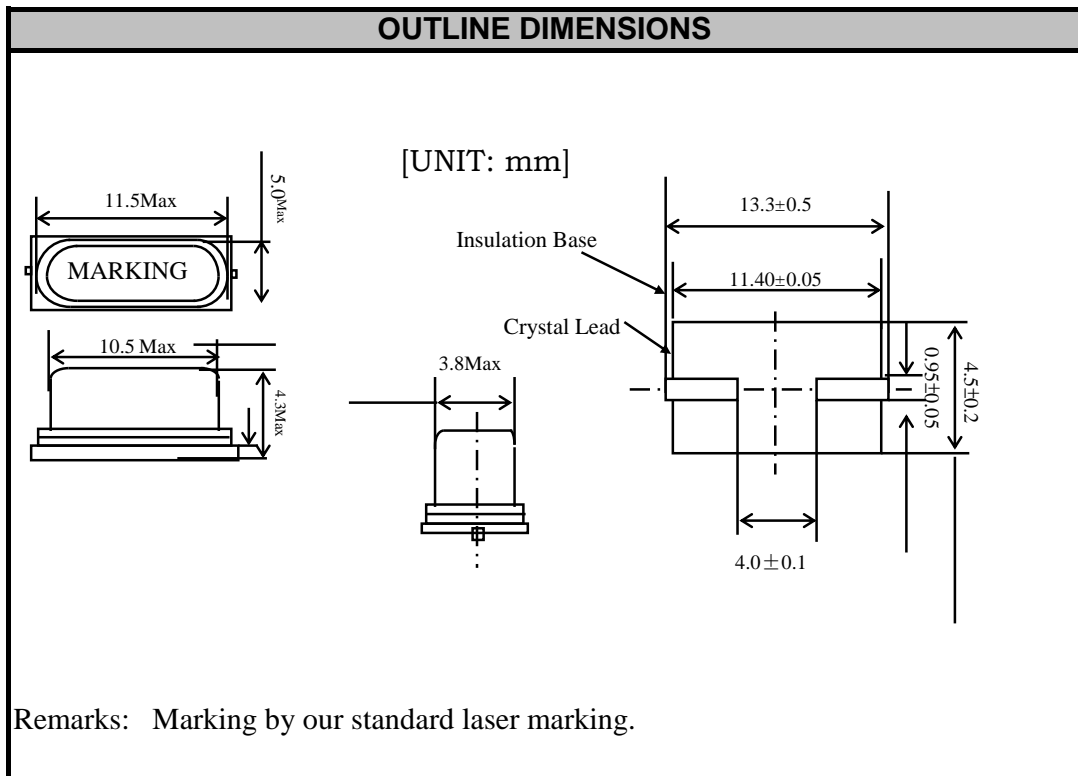


SPECIFICATION DATA SHEET

DATE: 13-Oct-11

TYPE	HC-49US/SMD
Part Number	AS49SD-4M-FE120E2
Nominal frequency	4.000000 MHz
Oscillation mode	Fundamental
Frequency tolerance	± 30 ppm 25±3°C
Temperature characteristics	± 30 ppm
Operating Temperature	-10°C~+ 70°C
Load capacitance	12.0 pF
Drive level	100 μW
Series capacitance (C ₁)	— fF
Parallel capacitance (C ₀)	5.0 pF Max
Series resistance	100 Ω Max
Storage Temperature	-40°C~+ 85°C
Aging	± 5 ppm Max /Year

OUTLINE DIMENSIONS



* Specification subject to change without prior notice.