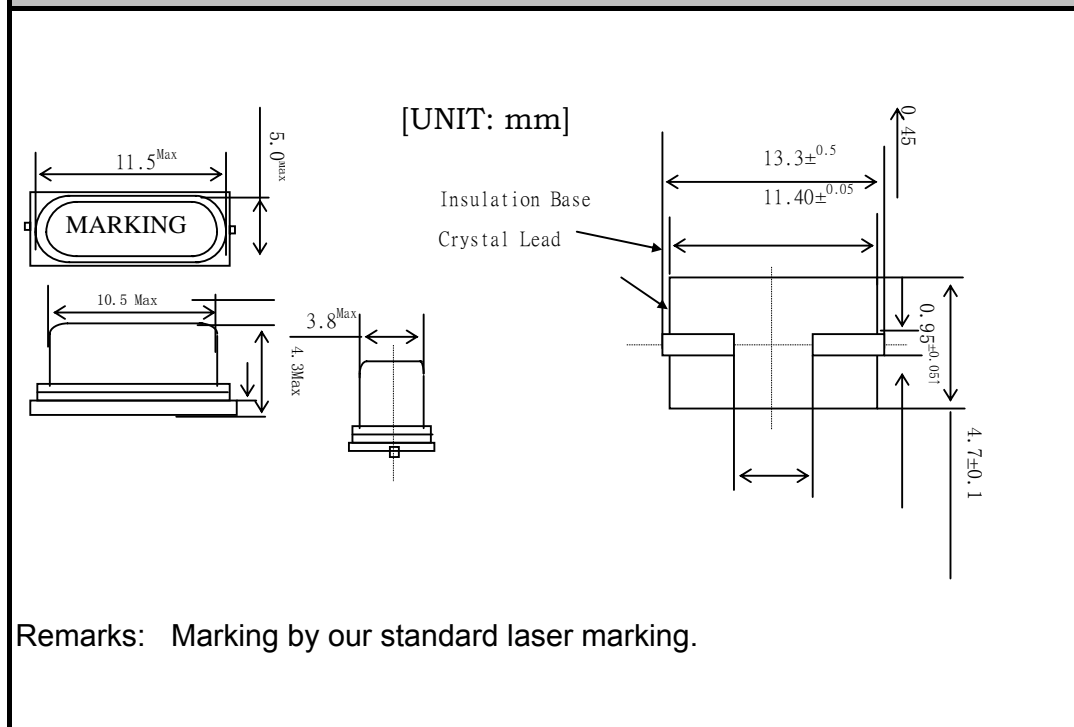


**SPECIFICATION DATA SHEET**

**DATE 1-Dec-09**

TYPE	HC-49US/SMD
Part Number	AS49SD-24M-FE200E2
Nominal frequency	24.000000 MHz
Oscillation mode	Fundamental
Frequency tolerance	± 30 ppm 25±3°C
Temperature characteristics	± 30 ppm (-10°C~+ 70°C)
Load capacitance	20.0 pF
Drive level	100 μW
Series capacitance (C <sub>1</sub> )	— fF
Parallel capacitance (C <sub>0</sub> )	5.0 pF Max
Series resistance	30 Ω Max
Storage Temperature	-40°C~+ 85°C
Aging	± 5 ppm Max /Year

**OUTLINE DIMENSIONS**



\* We reserved the right to change the content anytime.