

SWISSDIS



Swissdis AG
Grasweg 7
CH-4911 Schwarzhäusern

Tel.: +41 62 919 44 00
Fax: +41 62 919 44 01
info@swissdis.ch
www.swissdis.ch



SPECIFICATIONS

LED STRIPS WHITE

U-LFPSW-N250-DW

Version July 2014

Unilite Opto Technology

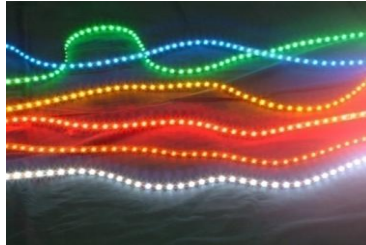
email: info@unilite-tech.com

U-LFPSX-N250-CV



■ Description

- Flexible lighting strip
- Flexible printed circuit(Yellow / White)
- Color: R/G/B/Y/W are available
- SMD (PLCC6) type LED
- Dice Material: InGaN/AlGaInP



■ Features

- 300 pcs SMD LEDs (PLCC6)
- 60 pcs 5050 LED per unit/ 5 units/ reel
- Size: 5000mmX10mm
- Drive: 24 VDC
- 3M back adhesive-tape
- Long operating life
- Instant light
- Pb -free/ RoHS compliant

■ Applications

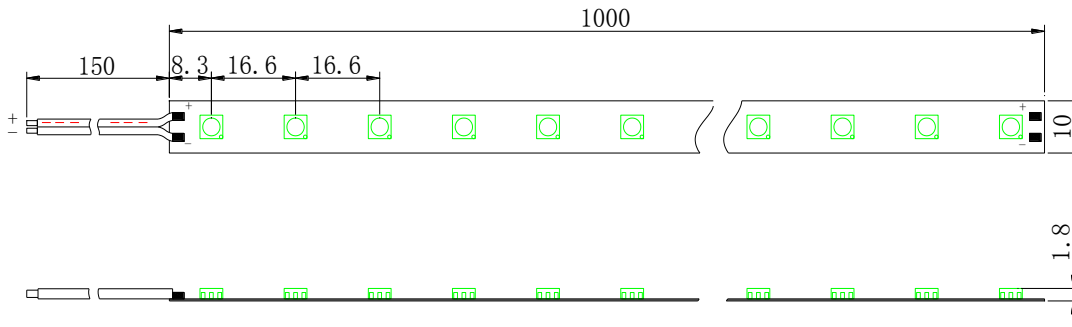
- Architectural decorative lighting
- Backlighting
- Light bar
- Pub lighting
- Theater mood lighting
- Musuem lighting
- Gallery lighting
- Commercial lighting
- Decoration lighting

Unilite Opto Technology

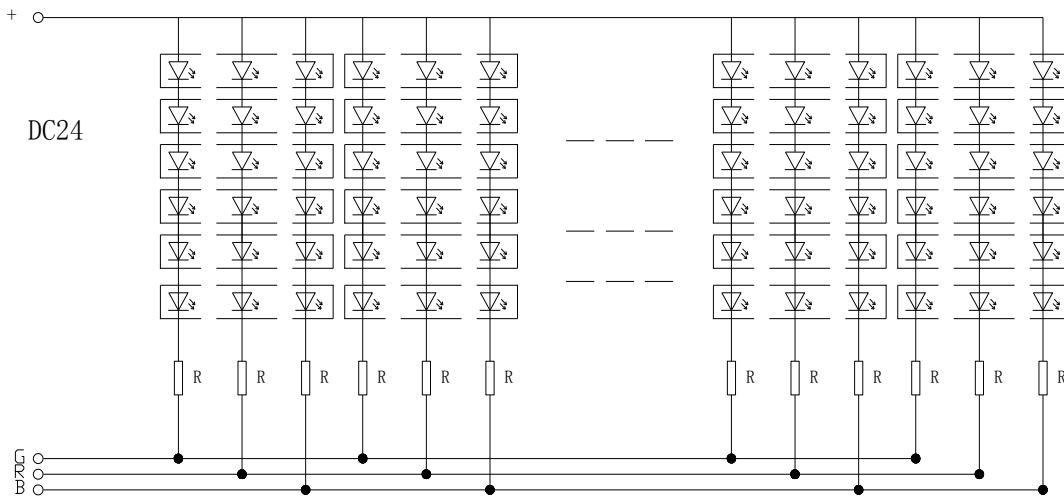
email: info@unilite-tech.com

U-LFPSX-N250-CV

■ Outline Dimensions (mm)

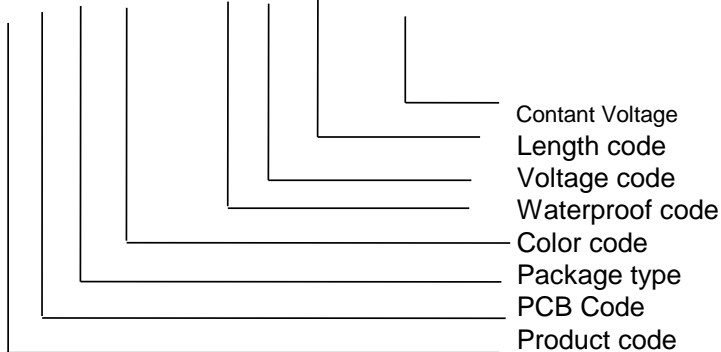


Units : Millimeters



■ Part Numbering System

U - L F P S X - N 2 5 0 - C V



Unilite Opto Technology

email: info@unilite-tech.com

U-LFPSX-N250-CV

■ Absolute Maximum Ratings at Ta = 25 °C

PARAMETER	symbol	MAX.	UNIT
Operating Voltage (max)	V	25	V
Power Dissipation/unit	W	14.4	W
Total power dissipation	W	72	W
Continuous Forward Current *	IF	600	mA
Viewing angle2θ1/2		110	
Operating Temperature Range	Topr	-30 to + 50	°C
Storage Temperature Range	Tstg	-40 to + 85	°C

■ Typical Electrical/Optical Characteristics at 24VDC Ta= 25 °C

PARAMETER	R	G	B	Y	W	Unit
Color	R	G	B	Y	W	Unit
Peak Emmission Wavelength	620	515	465	585		nm
Dominant Wavelength	630	525	475	595		nm

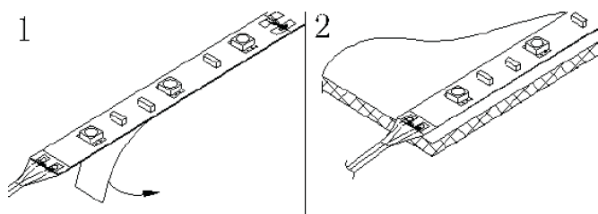
■ Typical Luminous Flux at 24VDC Ta= 25 °C

Color	R	G	B	Y	W	Unit
Peak Emmission Wavelength	620	515	465	585		nm
Dominant Wavelength	630	525	475	595		nm
Luminous Flux/unit (60pcs/M)	200-220	450-500	200-220	200-220	1080-1140	
Luminous Flux/unit(300pcs/5M)	1000-1100	2250-2500	1000-1100	1000-1100	5400-5700	lm

■ Bin Grade color temperature for White/ Ta= 25 °C

Color Bin	Warm White	Day white	Cool white
Color Klevin	2900-3300K	6800-7800K	9000-12000K

■ Installation Guide



Unilite Opto Technology

email: info@unilite-tech.com

U-LFPSX-N250-CV

■ Cautions

1. Caution: The limited of curve of position and angle:
3. The internal electronic layout will be damaged by smaller angle of curve
4. Over driving at high current is not allowed.
5. Any strong shocks or vibration may result in malfunction.
6. Keep the LED module dry , do not expose it to water or high level of humid.
7. This LED module must be operated by adults , do not allow child to play with it.
8. Assembly must not damage or destroy conducting paths on the circuit board.
9. The LED module itself and all its components must not be mechanically stressed
10. Correct electrical polarity needs to be observed. Wrong polarity will result in no light emission.
11. Exceeding maximum ratings for operating and storage temperature will reduce expected life time or destroy the LED Module.
12. When mounting on .metallic or otherwise conductive surfaces , there needs to be an electrical isolation at soldering points between the module and mounting surface.
13. Some reasons for damage are wrong way of connections and overtime lighting.
- 14 The instance of connecting between power supply and module should be smaller as possible.
15. Surface of interface of assembly must be very clear. Please move oil, water or dust out on the surface.
- 16 Please build up the heatsink or venthole in the power supply box due to DC power's heat.
17. Please kindly choose the waterproof power supply box for outdoor use.